



BASANT FLOORINGS
PRIVATE LTD.

Kerb with Drain and Retaining wall

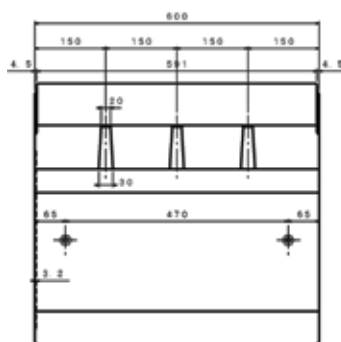
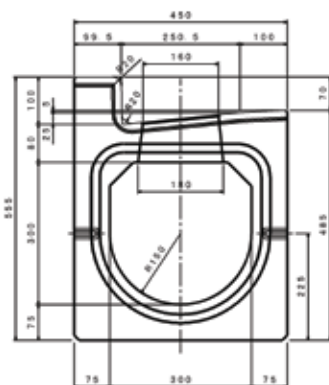


As a market leader in the manufacture of precast concrete products makes us ideally placed to meet the needs of today's construction industry.

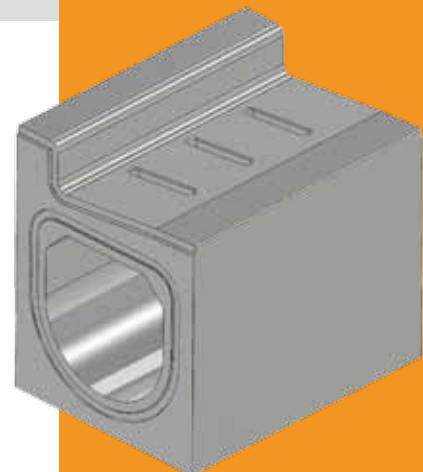
Basant Floorings Private Ltd has always been at the forefront of the various concrete products industry.

Basant Floorings Private Ltd offers an unique **"Kerb with Drain and Retaining wall for the future"**.

- **Less Supervision**
- **Less Labour**
- **Easy Handling**
- **Quick installation**



Roadside Drain 300mm (water carrying) with Kerb Stone



Kerb with Drain and Retaining wall



Durable: concrete Retaining wall panels makes these units resistant to damage from constant out-loading and easy to clean out between these elements. Concrete walls formed using horizontal & vertical pre stressed concrete panels give a 90° wall to floor joint.

Rapid Installation: Manufactured in controlled factory conditions from high grade concrete, the panels are quickly erected.

Finish: High strength Stone and smooth finish of the precast concrete panels.

Movable: The modular precast horizontal wall panels can be dismantled & relocated to meet alterations to sub divisions and to facilitate extension to the structure.



BASANT FLOORINGS
PRIVATE LTD.

Corporate Office:

"Farah Winsford" 2A, 2nd Floor,
133 Infantry Road, Bangalore 560 001, India
Tel: 0091-80-40897474/ 41232591/92
Fax: 0091-80-2286 1371
E-mail: info@basantbetons.com
www.basantbetons.com

Hubli:

Tel: 0836-2331881, 2310426, M:9845051232
Email: info.hubli@basantbetons.com

Mumbai/Pune/Delhi:

M: 09820139015
Fax: 022- 26764542
Email: vijaykumar34b@basantbetons.com

Goa:

Tel: 0832 – 2236781
M: 9823037715 / 9923810225
Email: ajit@basantbetons.com

Hyderabad:

M: 09845117193
Email: krishna@basantbetons.com

Mangalore: M: 9845053889

Chennai:

M: 9025067082/ 9940686482/
09845056482
Email: : jayachandran@basantbetons.com
yelamali@basantbetons.com

Coimbatore:

M: 9845046224

Bellary:

M:9845400710/ 9845117193