

BRILLIANTLY
BRITISH



100 07 1223



Basant Betons®



Basant Betons[®]

BASANT EXPORTSTM
&
Landscape Granite Co

A Division of Basant Betons

2A, 2nd Floor "Farah Winsford"
133, Infantry Road
Bangalore - 560 001, India
Phone : 91 - 80 - 22860720 / 2715 / 2030 / 1908 / 1913
41232591 / 92 Fax : 91 - 80 - 22861371

Email : info@basant-betons.com
Website : www.basant-betons.com

Phones :
Hubli : Tel : 0836 - 2331881 / 1884 / 2310426 M : 9845051232
Mumbai : 022 - 26764541 Fax : 022 - 26764542 M : 9820139015
Hyderabad : M : 09845117193 / 9959809996
Goa : 0832 - 2236781 M : 9326117562, 9823037715
Bellary : 08392 - 257997 M : 9845117193 / 9845400710
Mangalore : 0824 - 2231889 M : 9845056482
Chennai : M : 9845056482 / 9940686482 / 9326112316



Swedish Crane

A Swedish crane mounted on a truck is employed for safe and efficient offloading of products.



Fully functioning plant at Basant Betons

New generation equipment

Basant Betons has developed a state-of-the-art infrastructure to meet the highest and latest customer expectations and market trends, in every aspect.



Concrete Wet Pressing, Dewatering System

A premier product of leading British technology, this system is fully automated, and delivers clean, vacuum-dewatered concrete which is pressed under heavy pressure thus imparting terrific strength and beauty to the products manufactured.



Fork Lift
A German forklift with special grab functions has been installed for safe handling of products at the plant.





Types



Pimple Surface Flags

Basant Betons pimple surface flags, meant for general purpose use, come in a wide array of sizes, shapes and colours that provide the designer with ample scope to create stunning patterns in small as well as large landscapes.



Riven Stone Flags

Basant Betons riven stone flags, with natural-weathered texture finish, respond to the highest levels of aesthetic expectations and come in a variety of sizes, shapes and colours. They tolerate no standing-water and ensure an absolutely non-slip surface.



Coloured Riven Flags

Shot Blasted Flags

Basant Betons shot blasted flags provide a superb non-slip texture and fine aesthetic finish due to exposed aggregates. They are available in various sizes, shapes and colours.

Barface Flags

Basant Betons barface patterned flags provide rugged and beautiful looks. These can be used as paving on any urban environment, including building and office surroundings.

Blister Tactile Flags

Basant Betons blister tactile flags can be used in any area that can be paved, including places where pedestrians need to be alerted about possible traffic hazards ahead.



Pimple Surface



Riven



Shot Blasted



Barface



Blister Tactile



Pimple flags in Britain



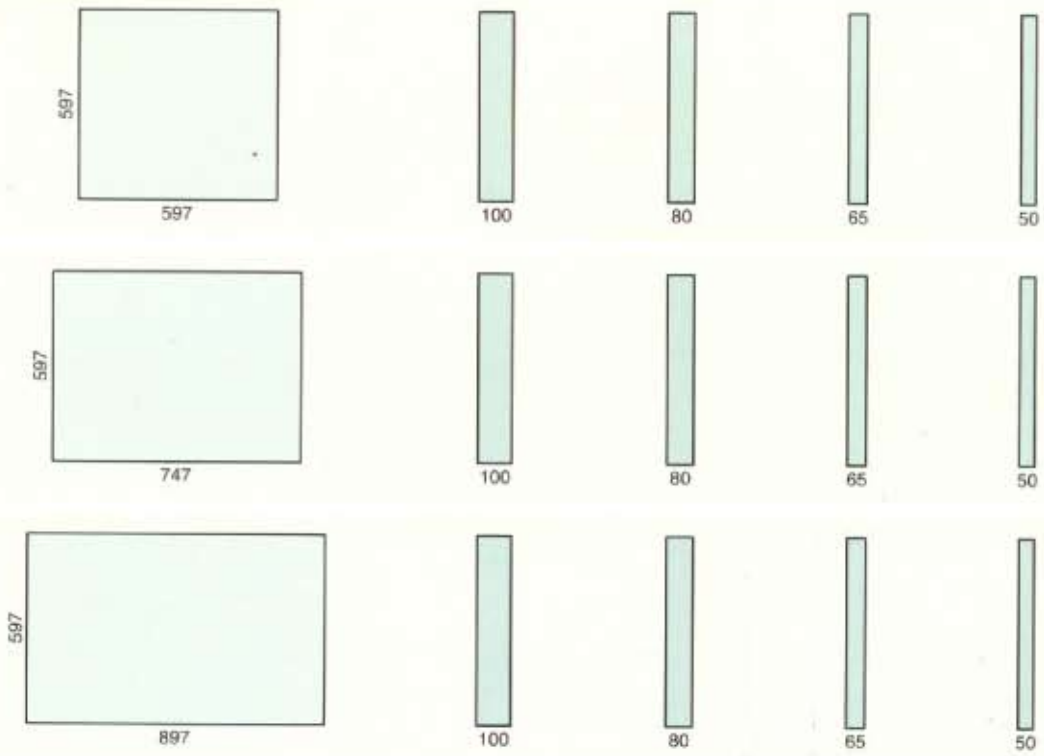
Blister tactile flags in England



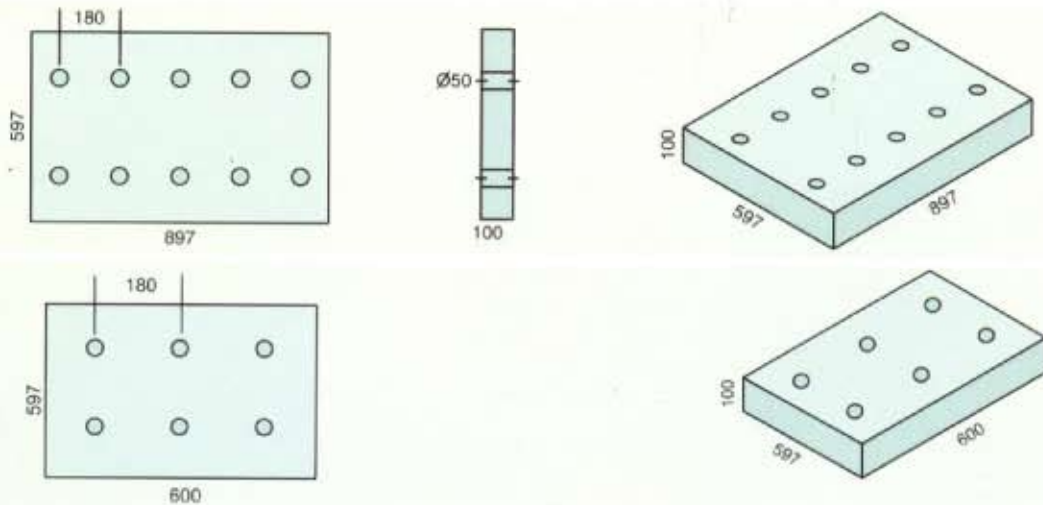
Barfaced flags in London

Sizes

Flags of different dimensions



Drian slabs





Riven flags at an English mall



Pimple flags used in Britain



Pimple flags used in walkways in England

Application



Shot blasted flags used in Sweden



Pimple faced flags used in Denmark

Typical Application Areas

1. Pedestrian footways and precincts
2. Forecourts and building entrances
3. Walkways in residential and industrial buildings
4. Areas around shops and offices
5. Playgrounds
6. Paved areas in both public and private gardens



Pimple flags used in Germany



Shot blasted flags combined with cobbles at a shopping mall in England



Blister tactile flags



Pimple flags

flags

Basant Betons flags bring a new vibrancy and variety to the urban environment when used in pavements, walkways, building entrances and forecourts. The flags come in a wide range of textures, finishes and colours that add an out-of-this-world aesthetic value to the urban landscape, and they can be used in combination with other materials to create a wonderful variety of designs and colour combinations.



Pimple flags used in streets in England



Shot blasted flags used in Sweden



Types

TYPE	BBS01	BBS02	BBS03	BBS04
Splay				

TYPE	BBHB01	BBHB02	BBHB03	BBHB04
Half Batter				

TYPE	BBBN01	BBBN02	BBBN03	BBBN04
Bullnose				

TYPE	BBF01	BBF02	BBF03	BBF04
Flush				

Sizes				
-------	--	--	--	--

TYPE	BBCD01
Channel Dished	

TYPE	BBDSQK 01
Down Stream Gutter Kerb	



Kerbs used on roads in Britain



Kerbs at a bus stop in Sweden



Kerbs laid flat for vehicle parking

Kerbs used in landscapes in Sweden



Kerbs used as landscape divider in Sweden





Kerbs used as steps in a courthouse in Britain



Kerbs used as steps in Britain



Kerbs used as steps in Germany

Application



Kerbs laid flat as steps in Sweden



Kerbs laid flat as steps in Denmark



Kerbs used as divider in Sweden



Kerbs used as divider in Denmark



Kerbs as dividers in a Swedish school



Kerbs on sidewalks

Basant Betons kerbs

offer the top-most standards of quality, strength and durability, apart from great aesthetic appeal. The natural appearance of the kerbs enables them to easily blend in with traditional, contemporary and futuristic environments.

Basant Betons kerbs are available in wide-ranging colours with **pimple finish**, **riven finish** and **shot blasted finish**.



Kerbs used as copings

kerbs



Kerbs used on sidewalks in Sweden



Kerbs at a bus stop in England



The Technology Leader

Founded in 1978, Basant Betons is a leading manufacturer of world-class concrete products such as shot-blasted pavers and tiles. With cutting edge technology, plant and machinery, and with exceptional quality, strength and durability of products, as well as high service value, the company commands an unbeatable status in the industry today. It enjoys the distinction of introducing shot-blasted pavers and paving tiles to India and is now introducing another first to this country: **wet-pressed vacuum-dewatered concrete kerbs and flags**, produced by technology and plant imported totally from England, at a large investment of Rs.40 million. This reinforces the huge resources the company has already invested in sophisticated European technology and equipments.

